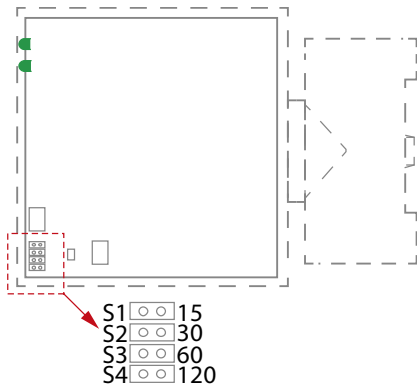


## UMP 3, FROM 3-POINT CONTROL TO 0...10 V CONVERTER

UMP 3 is a module converting a 3-point control signal into a 0...10 Vdc signal.

Input signals (increasing / decreasing) are changing the value of the output signal. Led lamps, + and -, are indicating the direction of the change. The velocity of the change depends on the settings made by the jumpers S1 - S4 inside the casing, and by the coefficient trimmer K (K= 1...2) on the front plate.

### Selection for changing time of the output signal:



Range selection for the changing time of the output signal from 0 to 10V (and 10V to 0V)					Total time
	15 s	30 s	60 s	120 s	K = 1...2
S1	* <input checked="" type="checkbox"/>	<input type="checkbox"/>	<input type="checkbox"/>	<input type="checkbox"/>	15...30 s
S2	<input type="checkbox"/>	<input checked="" type="checkbox"/>	<input type="checkbox"/>	<input type="checkbox"/>	30...60 s
S3	<input type="checkbox"/>	<input type="checkbox"/>	<input checked="" type="checkbox"/>	<input type="checkbox"/>	60...120 s
S4	<input type="checkbox"/>	<input type="checkbox"/>	<input type="checkbox"/>	<input checked="" type="checkbox"/>	120...240 s

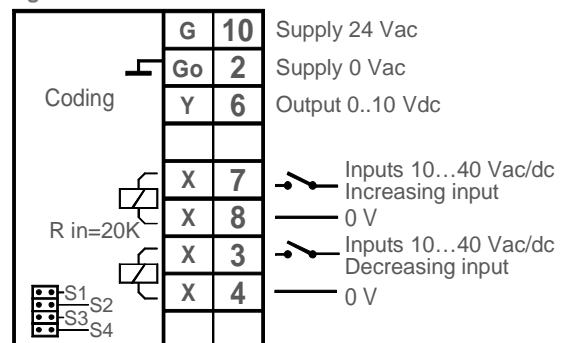
\* Factory setting



### Technical data:

Supply	24 Vac, 1 VA
Inputs (incr. / decr.)	10...40 Vac/dc
Output	0...10 Vdc, 1mA
Dimensions w x h x d	35 x 79 x 95 mm
Settings:	
velocity of change	15 s, 30 s, 60 s or 120 s
coefficient for the selected time	K = 1...2

### Wiring:



### Ordering guide:

Model	Product number	Description
UMP 3	1182150	converter from 3-point control to 0-10V

Products fulfill the requirements of directive 2004/108/EC and are in accordance with the standards EN61000-6-3 (Emission) and EN61000-6-2 (Immunity).