

JV 24-PT FROSTGUARD THERMOSTAT

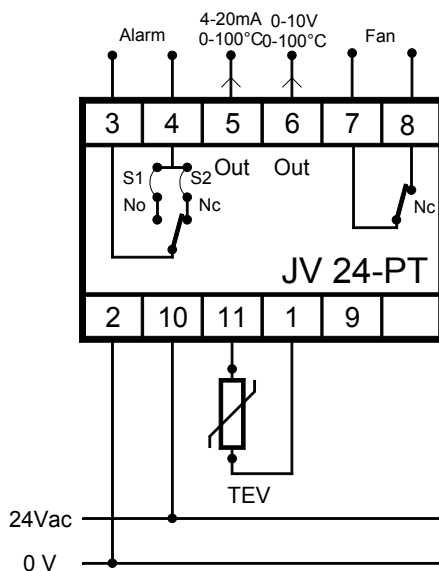
Thermostat JV 24-PT is designed to prevent the water heater of ventilation unit from freezing and also works as the return water temperature transmitter. If temperature drops below the setpoint value JV 24-PT triggers alarm and turns ventilation unit off. In addition, JV 24-PT triggers an alarm if there is a sensor fault.

After correction of the defect, the device remains in the "alert" state till the moment you press the button "reset" or temporarily disconnect the power supply.

Suitable sensor for EJ24-PT is a PT1000 sensor, 1000 @ 0°C (TEV PT1000)
The direction of the relay can be selected during installation.

ATTENTION! For connection of 230 Vac control output the auxiliary relay AR1 or other compatible relay must be used.

CONNECTION:



Technical data:

Supply	24 Vac, 2 VA
Control relay	6 A / < 50 Vac
Alarm relay	1 A / 60 Vdc
Temperature sensor	PT1000 (1000Ω / 0°C)
Alarm range	0... 15°C
Return water temp. range	0...100 °C = 0...10 V = 4...20 mA
Dimensions w x h x d	35 x 79 x 95 mm

Ordering guide:

Model	Product number	Description
JV 24-PT	1110090	Frostguard thermostat, sensor PT1000 (1000 Ω / 0 °C)

Products fulfil the requirements of directives 2006/95/EC and 2004/108/EC and are in accordance with the standards EN60947, EN61000-6-3 (Emission) and EN61000-6-2 (Immunity).

Produal Oy

Keltakalliontie 18
48770 Kotka
FINLAND
www.produal.fi

Puh: +358-5-230 9200
Fax: +358-5-230 9210
info@produal.fi