

ADJUSTING FROST GUARD EJV 24-PT

APPLICATION:

EJV 24-PT is a safety device for water radiators in ventilating units protecting radiators against freezing.

FUNCTION:

1. Running time: When the unit is ON, EJV 24-PT is monitoring and, if necessary, controlling temperature of return water from the radiator. TEV Pt1000-sensor is detecting temperature and EJV 24-PT is transmitting the signal to the control system.

When temperature is approaching the alarm set point within the range of restriction, the frost guard is adjusting the signal from control system to the actuator (green light).

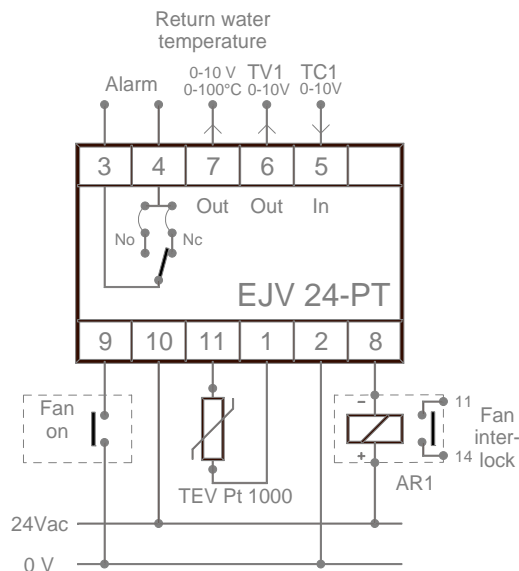
When temperature is dropping below alarm set point EJV 24-PT is stopping the unit and triggering alarm (red light). Alarm is reset by the Reset-button or by breaking supply voltage from the EJV 24-PT.

2. Stand-by time: When the unit is OFF, the temperature of return water is controlled by EJV 24-PT to meet the set point of the Unit Off Temperature.

ATTENTION!

A fault of the sensor is triggering alarm and EJV 24-PT is opening the actuator (control valve) completely. The break of supply voltage of EJV 24-PT is stopping the ventilating unit, but no alarm is triggered at all.

Wiring:



Technical data:

Supply	24 Vac, 2 VA
Control relay AR 1	10 A/230 V
Alarm relay	1 A/24 Vdc
Temperature sensor, Pt1000	1000 Ω / 0 °C
Output = return water temp.	0...100 °C = 0...10 V, 10 mA
Input signal from controller TC1	0(2)...10 Vdc, 0,5 mA
Output signal to actuator TV1	0(2)...10 Vdc, 10 mA
Alarm set point	0...20 °C
P-band of restricted signal	1...8 °C
Off-time temp. set point	0...50 °C
Start point temp. of restriction	3...16 °C alarm set point
Dimensions (w x h x d)	35 x 79 x 95 mm

Ordering guide:

Model	Product number	Description
EJV 24-PT	1110080	adjusting frost guard for Pt1000 sensor (1000 ohm / 0 °C)
AR 1	1183010	relay; delivered with EJV 24-PT

Products fulfil the requirements of directive 2004/108/EY and are in accordance with the standards EN61000-6-3: 2001 (Emission) and EN61000-6-2: 2001 (Immunity).

Produal Oy

Keltakalliontie 18
48770 Kotka
FINLAND
www.produal.com

Tel: +358-5-230 9200
Fax: +358-5-230 9210
info@produal.fi