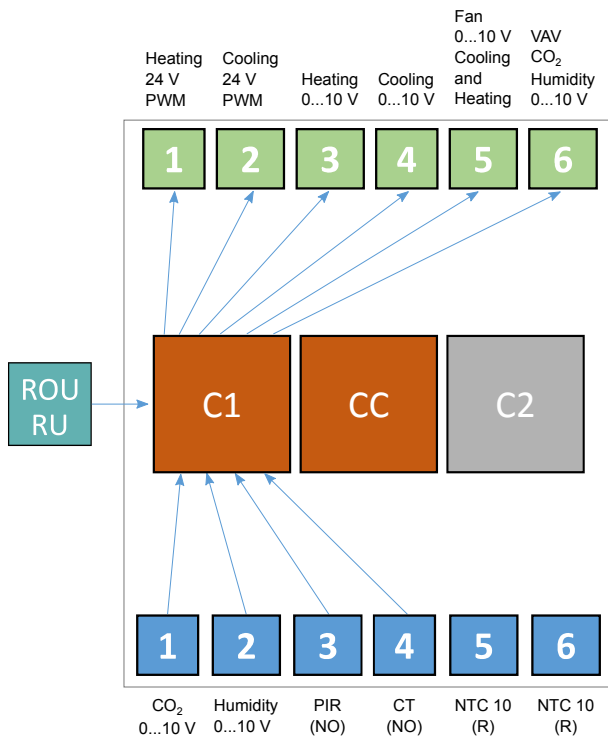


# STANDARD APPLICATION EXAMPLE WITH PROXIMA CU



### Output settings

Heating: 24 V or 0...10 V  
 Cooling: 24 V or 0...10 V  
 Fan: 3-speed control with 2,5 / 5,0 / 7,5 V steps, both heating and cooling  
 VAV: Combined output for cooling CO<sub>2</sub> and humidity

### Controller C1 settings

Set point: 18...24 °C (center 21 °C, ±3 K)  
 Dead zone: ±0,5  
 Proportional band: 1,5 K (heating), 1,5 K (cooling)

### Fan

Stepping control for heating and cooling, 0 / 2,5 / 5,0 / 7,5 V

### VAV

Cooling, CO<sub>2</sub> (0...10 V / 750...1250 ppm), humidity (0...10 V / 50...100 %)

### Input settings

CO<sub>2</sub>: 0...10 V (0...2000 ppm) from external device  
 Humidity: 0...10 V (0...100 %) from external device  
 PIR: Night mode is on when the contact is closed, day mode is on when the contact is open.  
 CT: Window/condensation contact, blocks cooling when the contact is closed.  
 NTC 10 = External sensor for temperature measuring, no control, just information to BMS

# STANDARD APPLICATION EXAMPLE WITH PROXIMA CU

## Wiring

